

Indoor/Outdoor Mounts and Accessories

Honeywell's Performance Series mounts and accessories provide a range of installation options for the Honeywell Performance Series IP cameras and Performance Series HQA cameras, including junction box, wall, pole, and corner mounts.

The mounts provide easy cable routing with no exposed wiring, and the cameras can be installed, adjusted, and tested without repositioning the housing. All of the mounts and accessories are suitable for indoor or outdoor use.

The junction boxes, and pole mount are constructed of die-cast aluminum. The corner mount adapter is made of SECC steel. The HEJB junction box is made of die-cast aluminum and SECC steel. All of the mounts and accessories are powder coated to match the finish of the camera.

Market Opportunities

Honeywell's Performance Series mounts and accessories provide excellent value at an attractive price, featuring simple, clean lines, and rugged construction for a wide range of mounting options.



HQA-BB1
Junction Box



HQA-WK/HQA-WKB
Wall Mounts



HQA-BB2/HQA-BB2G
Junction Boxes



HQA-WK2/HQA-WK2G
Wall Mounts



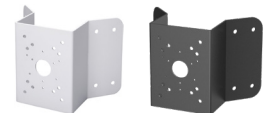
HQA-BB3/HQA-BB3G
Junction Boxes



HQA-PM2/HQA-PMB
Pole Mount



HQA-BB4
Junction Box



HB34S2-CM /HB34S2-CM
Corner Mount



HQA-PK
Pendant Mount Cap



HQA-RS
Rain Shield Bracket



HQA-BB5
Junction Box



HBS2-BB
Junction Box



HQA-CB Ceiling
Mount Bracket



HQA-CBE Ceiling
Mount Extend Bracket



HQA-IC
In-Ceiling Bracket



HEJB
Junction Box

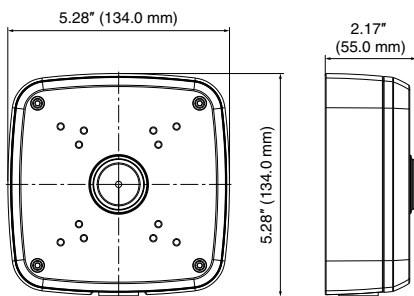
Indoor/Outdoor Mounts and Accessories

FEATURES AND BENEFITS

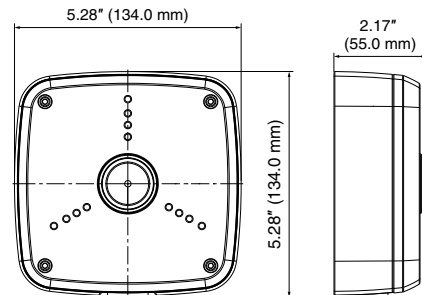
DESCRIPTION	JUNCTION BOX									WALL MOUNT				POLE MOUNT		CORNER MOUNT		CEILING MOUNT			PENDENT MOUNT	RAIN SHIELD	
	HQA-BB1	HQA-BB2	HQA-BB2G	HQA-BB3	HQA-BB3G	HQA-BB4	HQA-BB5	HBS2-BB	HEJB	HQA-WK	HQA-WKB	HQA-WK2	HQA-WK2G	HQA-PM2	HQA-PM2B	HB34S2-CM	HB34S2-CMB	HQA-IC	HQA-CB	HQA-CBE	HQA-PK	HQA-RS	
LOW PROFILE, CONTEMPORARY DESIGN	✓	✓	✓	✓	✓	✓	✓	✓	✓	✓	✓	✓	✓	✓	✓	✓	✓	✓	✓	✓	✓	✓	✓
ECONOMICALLY PRICED	✓	✓	✓	✓	✓	✓	✓	✓	✓	✓	✓	✓	✓	✓	✓	✓	✓	✓	✓	✓	✓	✓	✓
EASY CABLE FEED-THROUGH	✓	✓	✓	✓	✓	✓	✓	✓	✓	✓	✓	✓	✓	✓	✓	✓	✓	✓	✓	✓	✓	✓	✓
DIE-CAST ALUMINUM	✓	✓	✓	✓	✓	✓	✓	✓	✓	✓	✓	✓	✓	✓	✓			✓	✓	✓	✓	✓	✓
SECC STEEL									✓							✓	✓						
OFF-WHITE POWDER FINISH	✓	✓		✓		✓	✓	✓	✓	✓		✓		✓		✓		✓	✓		✓	✓	✓
GREY POWDER FINISH			✓		✓						✓		✓		✓		✓			✓			
INDOOR/OUTDOOR	✓	✓	✓	✓	✓	✓	✓	✓	✓	✓	✓	✓	✓	✓	✓	✓	✓	✓	✓	✓	✓	✓	✓

DIMENSIONS

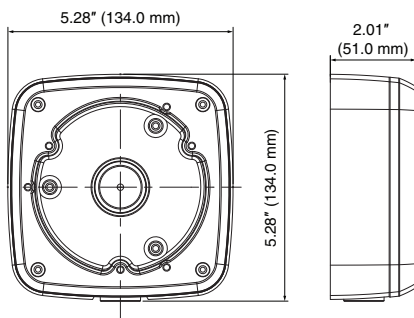
HQA-BB1



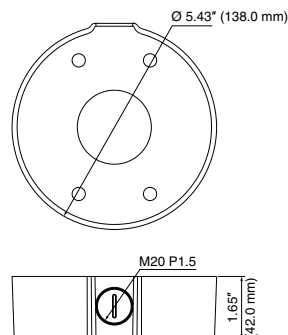
HBS2-BB



HQA-BB2/HQA-BB2G



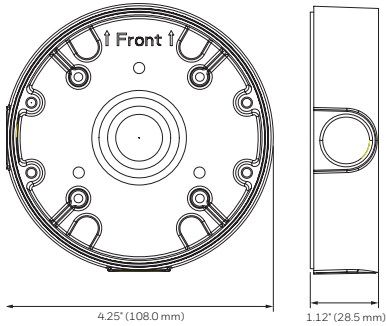
HEJB



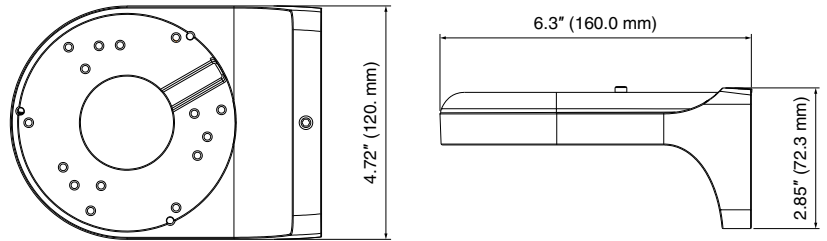
Indoor/Outdoor Mounts and Accessories

DIMENSIONS

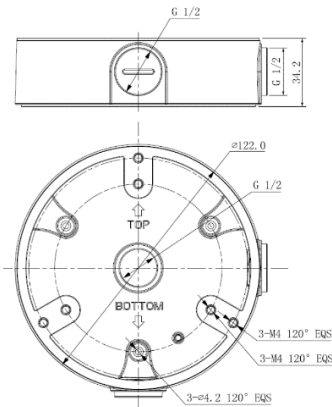
HQA-BB3/HQA-BB3G



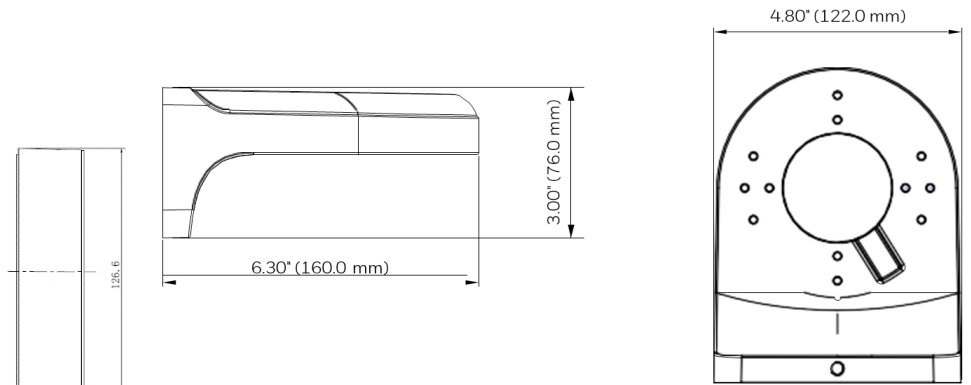
HQA-WK/HQA-WKB



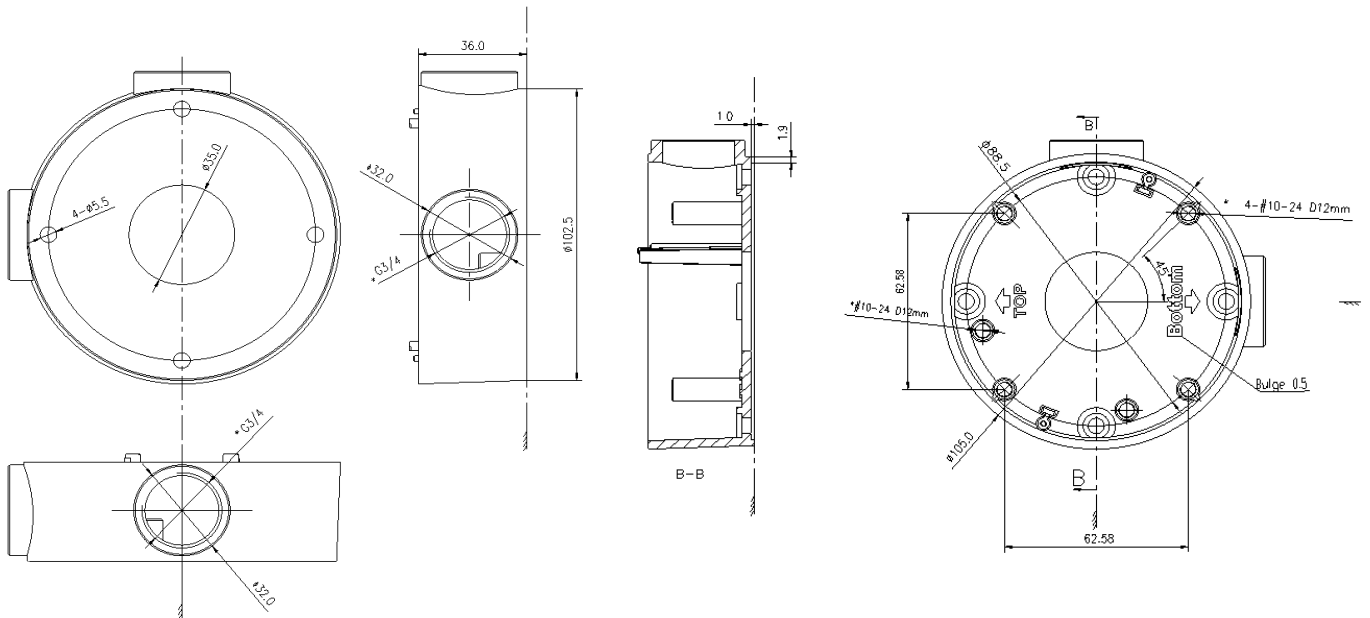
HQA-BB4



HQA-WK2/HQA-WK2G



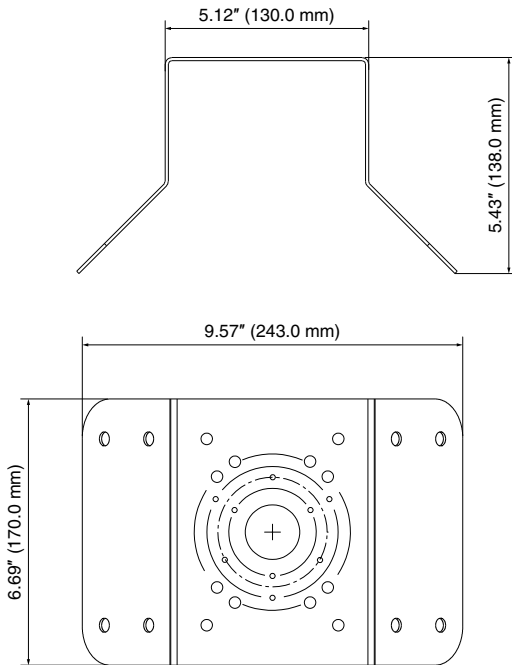
HQA-BB5



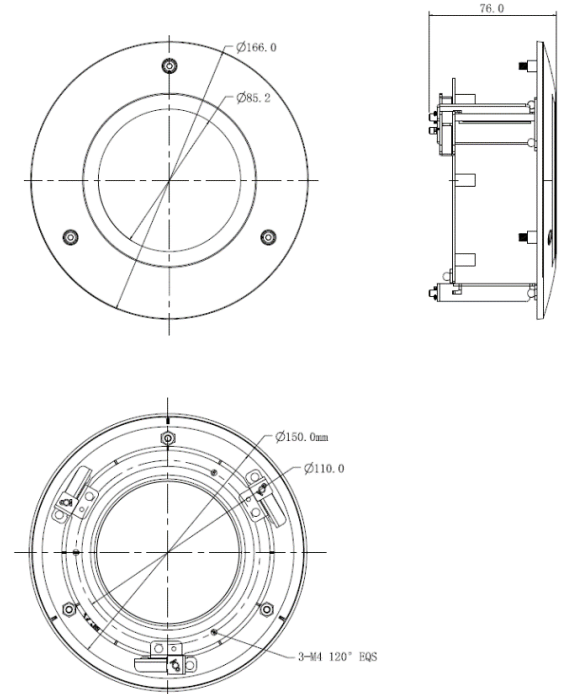
Indoor/Outdoor Mounts and Accessories

DIMENSIONS

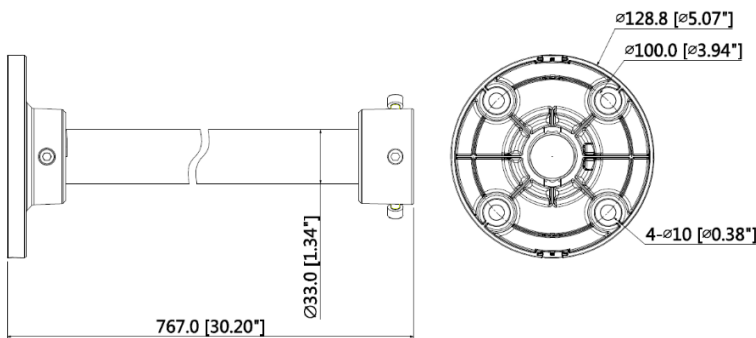
HB34S2-CM/HB34S2-CMB



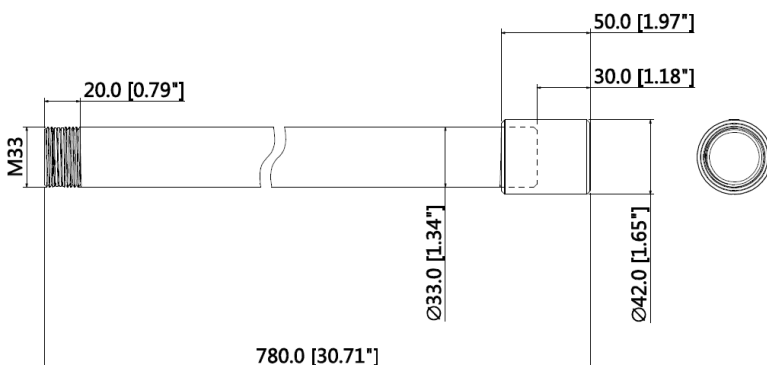
HQA-IC



HQA-CB



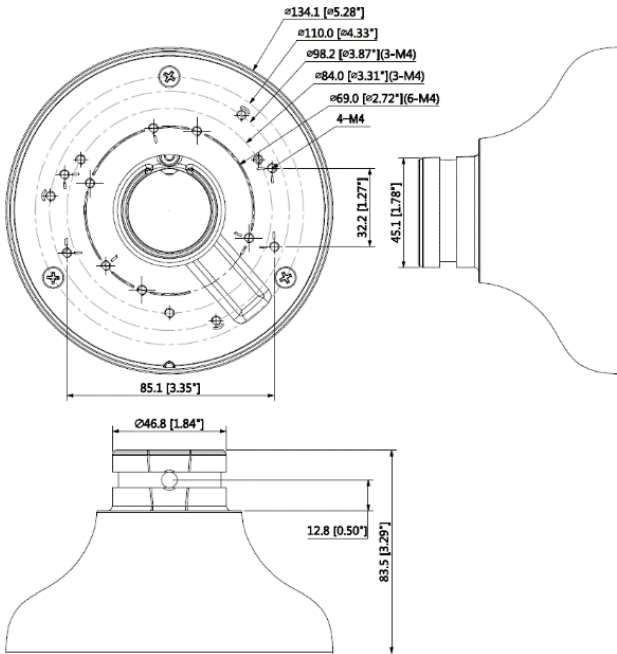
HQA-CBE



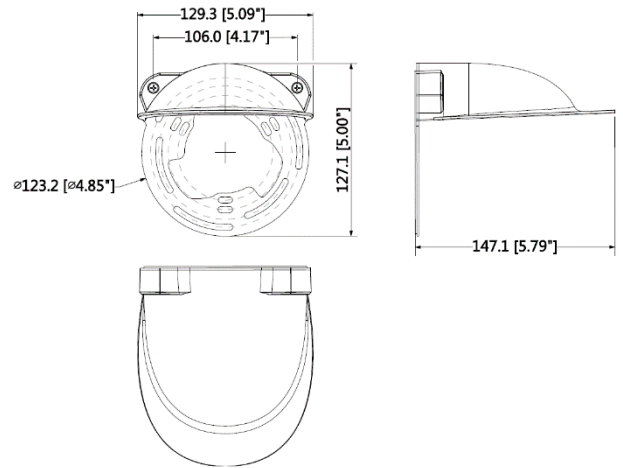
Indoor/Outdoor Mounts and Accessories

DIMENSIONS

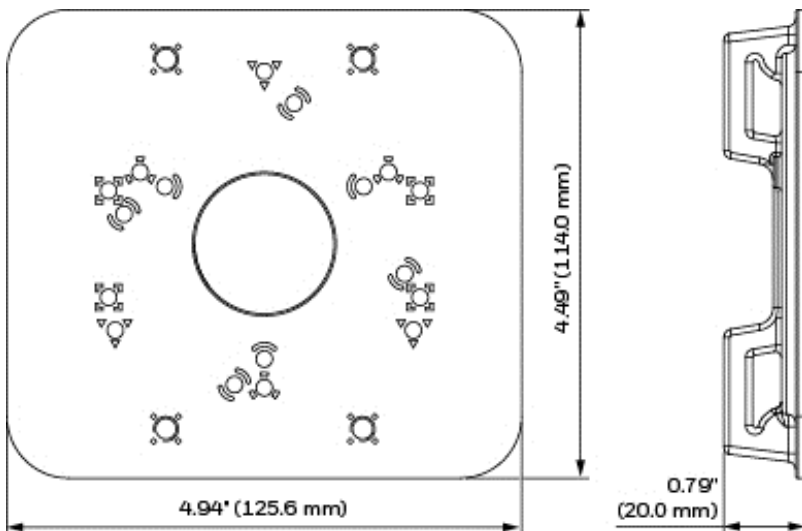
HQA-PK



HQA-RS



HQA-PM2/HQA-PM2B



Indoor/Outdoor Mounts and Accessories

COMPATIBLE HQA AND IP CAMERAS

Mounts	Compatible Performance HQA Cameras	Mounts	Compatible Performance IP Cameras
HQA-BB1	HB74HD2, HD30HD1, HD30HD2, HB74HD4	HQA-BB1	HBW2PR1, HBW4PR1, HBD8PR1
HQA-BB2/G	HD31HD2, HD73HD1, HD74HD2, HD231HD2, HD274HD2, HD72HD4, HD274HD4	HQA-BB2/G	H4D3PRV2, H4D2PRV3, H4W2PRV2, H4W4PRV2, H4W4PRV3, HEW2PR2, HEW4PR2, H4D8PR1, HFD5PR1
HQA-BB3/G	HD30HD4	HQA-BB3/G	H2W2PRV3, H2W4PRV3, HEW2PR1, HEW2PRW1, HEW3PR3, HEW4PRW3, HED8PR1, H2W2PC1M, H2W4PER3, H2W2PER3, HEW4PER3B, HEW2PER3
HQA-BB4	HD73HD1, HD41XD2, HD274HD2, HD74HD2, HD42XD2, HB276HD4, HD231HD2, HD31HD2, HE42XD2, HE42XD2G, H4D42HD8	HQA-BB4	H4D3PRV2, H4W4PRV2, H4W2PRV2, H4W4PER2, HED1PR3, HED3PR3, HEW4PR2, HEW2PR2, HED2PER3, HEW4PER3, HEW4PER2, HEW2PER2, H4W2PER2, H4W8PR2, H4W2PER3
HQA-BB5	No compatible HQA cameras	HQA-BB5	HBW4PGR1
HBS2-BB	HB74HD1, HB75HD1, HB76HD2, HB276HD2, HD29HD1, HD31HD2, HD231HD2, HB276HD4	HBS2-BB	HED1PR3, HED3PR3, HBD1PR1, HBD3PR1, HBD3PR2, HBW2PR2, HBW4PR2, HBW2PER2, HBW8PR2
HEJB	HB74HD1, HD31HD2, HD231HD2	HEJB	HED1PR3, HED3PR3, HBD1PR1, HBD3PR1
HQA-PM2/ HQA-PM2B	All HQA cameras (with a compatible junction box)	HQA-PM2/ HQA-PM2B	HED8PR1, HBD8PR1, H4D8PR1, HFD5PR1, H2W2PC1M, HEW4PER2, HEW4PER2B, HEW2PER2, H4W2PER2, H2W4PER3, H2W2PER3, H4W8PR2, HEW4PER3B, HEW2PER3, H4W2PER3, HBW2PER1, HBW2PER2, HBW8PR2 (with a compatible junction box)
HB34S2-CM/ HB34S2-CMB	All HQA cameras (with a compatible junction box)	HB34S2-CM/ HB34S2-CMB	H2W2PRV3, H2W4PRV3, H4W2PRV2, H4W4PRV2, H4W4PRV3, HBW2PR1, HBW4PR1, HBW2PR2, HBW4PR2, HEW2PR1, HEW2PRW1, HEW2PR2, HEW4PR2, HEW4PR3, HEW4PRW3, HED8PR1, HBD8PR1, H4D8PR1, HBW2PER1, HBW2PER2, HBW8PR2 (with a compatible junction box)
HQA-WK/ HQA-WKB	HD29HD1, HD31HD2, HD73HD1, HD74HD2, HD231HD2, HD274HD2, HD274HD4, HD72HD4	HQA-WK/ HQA-WKB	HED1PR3, HED3PR3, H4D3PRV2, H4D3PRV3, H4W2PRV2, H4W4PRV2, H4W4PRV3, HEW2PR2, HEW4PR2, H4D8PR1, HFD5PR1, HEW4PER2, HEW4PER2B, HEW2PER2, H4W2PER2, H4W8PR2, H4W2PER3
HQA-WK2/G	HD30HD1, HD30HD2	HQA-WK2/G	H2W2PRV3, H2W4PRV3, HEW2PR1, HEW2PRW1, HEW4PR3, HEW4PRW3, HED8PR1, H2W2PC1M, H2W4PER3, H2W2PER3, HEW4PER3B, HEW2PER3
HQA-IC	HD73HD1, HD41XD2, HD274HD2, HD74HD2, HD42XD2, HB276HD4, H4D42HD8	HQA-IC	H4D3PRV2, H4W4PRV2, H4W2PRV2, H4W4PER2, H4W2PER2, H4W8PR2
HQA-RS	HD30XD2, HD72HD4, HD73HD1, HD41XD2, H4D42HD8	HQA-RS	H4D3PRV3, H4D3PRV2, H2W4PRV3, H2W2PRV3, H4W4PRV3, H4W4PRV2, H4W2PRV2, H4D8PR1, H4W4PER3, H4W4PER2, H4W2PER2, H4W8PR2
HQA-PK*	HD30XD2, HD72HD4, HD73HD1, HD41XD2, HD274HD2, HD74HD2, HD42XD2, HB276HD4, HD30HD1, HD30HD2, HD29HD1, HE41XD2, HE30XD2, HE30XD2G, HD30HD4, HD231HD2, H4D42HD8HD31HD2, HE42XD2, HE42XD2G, H4D42HD8 (with compatible HQA-CB)	HQA-PK*	H4D3PRV3, H4D3PRV2, H2W4PRV3, H2W2PRV3, H4W4PRV3, H4W4PRV2, H4W2PRV2, H4D8PR1, H4W4PER3, H4W4PER2, HED1PR3, HED3PR3, HEW4PR3, HEW2PR1, HEW4PRW3, HEW2PRW1, HEW4PR2, HEW2PR2, HED8PR1, HED2PER3, HEW4PER3, H2W2PC1M, HEW4PER2, HEW4PER2B, HEW2PER2, H4W2PER2, H2W4PER3, H2W2PER3, H4W8PR2, HEW4PER3B, HEW2PER3, H4W2PER3 (with compatible HQA-CB)
HQA-CB*	HD30XD2, HD72HD4, HD73HD1, HD41XD2, HD274HD2, HD74HD2, HD42XD2, HB276HD4, HD30HD1, HD30HD2, HD29HD1, HE41XD2, HE30XD2, HE30XD2G, HD30HD4, HD231HD2, HD31HD2, HE42XD2, HE42XD2G, H4D42HD8 (with compatible HQA-PK)	HQA-CB*	H4D3PRV3, H4D3PRV2, H2W4PRV3, H2W2PRV3, H4W4PRV3, H4W4PRV2, H4W2PRV2, H4D8PR1, H4W4PER3, H4W4PER2, HED1PR3, HED3PR3, HEW4PR3, HEW2PR1, HEW4PRW3, HEW2PRW1, HEW4PR2, HEW2PR2, HED8PR1, HED2PER3, HEW4PER3, H2W2PC1M, HEW4PER2, HEW4PER2B, HEW2PER2, H4W2PER2, H2W4PER3, H2W2PER3, H4W8PR2, HEW4PER3B, HEW2PER3, H4W2PER3 (with compatible HQA-PK)
HQA-CBE	(Used with HQA-CB together)	HQA-CBE	(Used with HQA-CB together)

Indoor/Outdoor Mounts and Accessories

SPECIFICATIONS

MECHANICAL			
MODEL NO.	UNIT WEIGHT	CONSTRUCTION	DIMENSIONS
HQA-BB1	1.1 lb (0.5 kg)	Die-cast aluminum	5.28 x 5.28 x 2.17 in. (134.0 x 134.0 x 55.0 mm)
HQA-BB2/HQA-BB2G	1.32 lb (0.6 kg)	Die-cast aluminum	5.28 x 5.28 x 2.01 in. (134.0 x 134.0 x 51.0 mm)
HQA-BB3/HQA-BB3G	1.08 lb (0.49 kg)	Die-cast aluminum	6.30 x 4.80 x 3.00 in. (160.0 x 122.0 x 76.0 mm)
HQA-BB4	0.53 lb (0.24 kg)	Aluminum	ø 4.80 x 1.35 in. (ø 122.0x34.2 mm)
HQA-BB5	0.55 lb (0.25 kg)	Aluminum Alloy	ø 3.48 in. (ø 88.5 mm)
HBS2-BB	1.1 lb (0.5 kg)	Die-cast aluminum	5.28 x 5.28 x 2.17 in. (134.0 x 134.0 x 55.0 mm)
HEJB	0.84 lb (0.38 kg)	Die-cast aluminum and SECC steel	ø 5.43 x 1.65 in. (ø 138.0 x 42.0 mm)
HQA-PM2 (requires a compatible junction box)	0.6 lb (0.27 kg)	Die-cast aluminum	4.94 x 4.49 x 0.79 in. (125.6 x 114.0 x 20.0 mm)
HQA-PM2B	0.6 lb (0.27 kg)	Aluminum & SUS304	4.94 x 4.49 x 0.79 in. (125.6 x 114.0 x 20.0 mm)
HB34S2-CM (requires a compatible junction box)	3.75 lb (1.7 kg)	SECC steel	9.57 x 6.69 x 5.43 in. (243.0 x 170.0 x 138.0 mm)
HB34S2-CMB	3.75 lb (1.7 kg)	SECC	9.57 x 6.69 x 5.43 in. (243.0 x 170.0 x 138.0 mm)
HQA-WK	2.2 lb (1.0 kg)	Die-cast aluminum and ABS	4.72 x 2.85 x 6.3 in. (120.0 x 72.3 x 160.0 mm)
HQA-WKB	1.1 lb (0.5 kg)	Aluminum & SECC	6.30 x 4.80 x 2.99 in. (160 x 122 x 76 mm)
HQA-WK2/HQA-WK2G	0.35 lb (0.16 kg)	Die-cast aluminum	ø 4.25 x 1.12 in. (ø 108.0 x 28.5 mm)
HQA-IC	0.71 lb (0.32 kg)	SECC & PC	ø 6.54 x 2.98 in. (ø 166.0x75.8 mm)
HQA-RS	0.55 lb (0.25 kg)	Aluminum & SGCC	5.09 x 5 x 5.79 in. (129.3 x 127 x 147 mm)
HQA-PK	0.64 lb (0.29 kg)	Aluminum	ø 5.28 x 3.29 in. (ø 134.1 x 83.5 mm)
HQA-CB	1.98 lb (0.9 kg)	Aluminum	ø 5.07 x 30.2 in. (ø 128.8 x 767.0 mm)
HQA-CBE	1.43 lb (0.65 kg)	Aluminum	ø 1.65 x 30.71 in. (ø 42 x 780 mm)

ORDERING

HQA-BB1	Junction Box, Off-White	HB34S2-CM	Corner Mount Adapter, Off-White	<ul style="list-style-type: none"> A compatible junction box is required when installing to either the the HQA-PM2 pole mount or the HB34S2-CM corner mount. The HQA-BB4 must be used when installing the camera to HQA-PM2 or HQA-PM2B, vice versa. The HQA-PK must be used when installing the camera to HQA-CB. The HQA-CBE must be used with HQA-CB together.
HQA-BB2	Junction Box, Off-White	HB34S2-CMB	Corner Mount Adapter, Grey	
HQA-BB2G	Junction Box, Grey	HQA-WK	Wall Mount, Off-White	
HQA-BB3	Junction Box, Off-White	HQA-WKB	Wall Mount Bracket, Grey	
HQA-BB3G	Junction Box, Grey	HQA-WK2	Wall Mount, Off-White	
HQA-BB4	Junction Box, Off-White	HQA-WK2G	Wall Mount, Grey	
HQA-BB5	Junction Box, Off-White	HQA-IC	In-Ceiling Bracket, Off-White	
HBS2-BB	Junction Box, Off-White	HQA-RS	Rain Shield Bracket, Off-White	
HEJB	Junction Box, Off-White	HQA-PK	Pendant Mount Cap, Off-White	
HQA-PM2	Pole Mount Adapter, Off-White	HQA-CB	Ceiling Mount Bracket, Off-White	
HQA-PM2B	Pole Mount Adapter, Grey	HQA-CBE	Ceiling Mount Extend Bracket, Off-White	

For more information

www.honeywell.com/security

Honeywell Commercial Security

Aston Fields Road
Whitehouse Industrial Estate
Runcorn, Cheshire
WA7 3DL
Tel: +44 (0)8448 000 235

Honeywell Security Office

Emaar Business Park, Sheikh Zayed Road
Building No. 2, 2nd floor, 201
Post Office Box 232362
Dubai, United Arab Emirates
Tel: +971 44541704
www.honeywell.com

ONVIF and the ONVIF logo are trademarks of ONVIF Inc. Honeywell reserves the right, without notification, to make changes in product design or specifications.

HSV-HQA MOUNTS-02-UK(0119)DS-E
© 2019 Honeywell International Inc.

Honeywell