

CAT6A SHIELDED RJ45 WATERPROOF CONNECTOR COUPLER

DESCRIPTION

The DYNAMIX Waterproof in-line connector coupler is designed to protect cable-to-cable connections even in harsh environments. IP67 rating ensures dust and moisture are unable to penetrate and disrupt. If you need to link networking cables together, or extending existing cable runs the DYNAMIX In-line Cat.6A Coupler can help you make the right connection. The in-line coupler provides a female-to-female feed-through connection for easy cable hook-up. The 1-1 wiring configuration is compatible with both T568A and T568B wiring schemes.

FEATURES

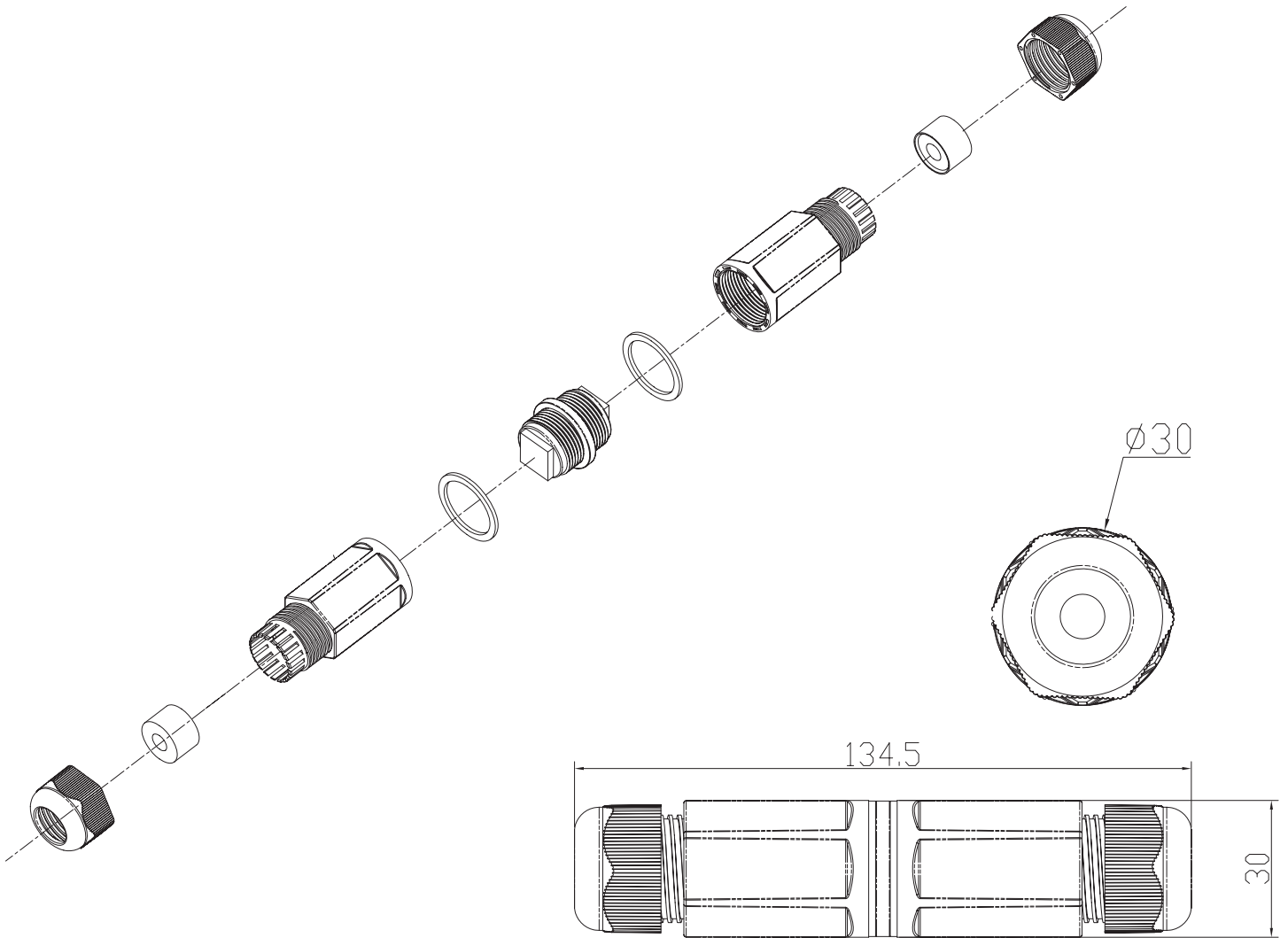
- CAT6A RJ45 waterproof Ethernet LAN cable coupler
- Backward compatible with CAT5, CAT5E, CAT6 patch cord
- IP67 - Designed and ideal for harsh environments
- RJ45 Female to female connection
- Plug and play
- Threaded connecting design
- Solderless so no need to damage or interrupt the original wire
- Cat6A compliance with ANSI/TIA/ EIA 568 C standard



PRODUCT CODE	DESCRIPTION	COLOUR
A-RJ45IP-C6AS	RJ45-RJ45 Cat6A Shielded Waterproof In-line Connector Coupler.	Black/Orange

SPECIFICATIONS

Plastic housing	ABS
Rj45 contact material & finish	3-1 Phosphor bronze with nickel plated, 3-2 contact area: gold plated
Shield	Brass
Waterproofing	IP67
Cable diameter	3 To 8mm
Retention strength	7.7 Kgs between jack and plug
Operation temperature	20° TO 68°



ALSO AVAILABLE:

<p>IPR-C6J</p>  <p>IP67 Rated Cat6 Shielded Keystone Jack with Dust Cap.</p>	<p>IPR-C6C</p>  <p>IP67 Rated Cat6 Shielded Joiner with Dust Cap.</p>	<p>IPR-C6-1</p>  <p>1m Cat6, IP67 Rated Patch Lead With Protective Boot</p>	<p>IPR-WAK</p>  <p>Waterproof assembly kit for making outdoor Patch Leads, IP67 Rated</p>
--	---	--	---

Please note we took the up-most care to compile the information in this datasheet. To the best of our knowledge all info provided were correct at the time of creation. Should any specs change we try to update info accordingly. Information are subject to change without notice. In the case that you find any irregularity please inform our team at contactus@dynamix.co.nz
Last updated: 20 April 2020