

CS-BC1c-R100-2F8WFL

Smart Home Battery Camera

Introduction

With 4K UHD and two integrated spotlights, you'll see the small details of any person that work onto your property at day or night. With EZVIZ 7/24 Always-on protection, BC1c 4K being a battery camera can also guard your property 7/24 like wired camera.



Main Features



4K Resolution



10,400 mAh Rechargeable Lithium Battery



24/7 Always-on Protection



Color Night Vision



High Fidelity Two-Way Talk



Smart Human Motion/Vehicle/Animal Detection



Active Defense



Weatherproof Design (IP65)



Work with EZVIZ Solar Panel Series to Convert Green Power



Support Bluetooth



Support WiFi 6

H.265

H.265 Video Compression



Support MicroSD Card up to 512GB

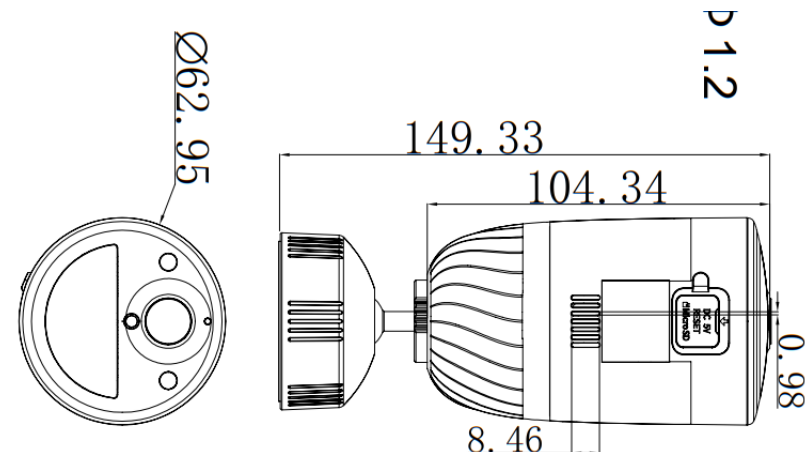


Work with Google & Alexa



2.4GHz Wi-Fi

Dimension



Specifications

Model	CS-BC1c-R100-2F8WFL
Camera	
Image sensor	1/2.7" 8-Megapixel Progressive Scan CMOS Sensor
Minimum Illumination	0.01 Lux @(F1.6, AGC ON), 0 Lux with IR
Shutter Speed	Self-adaptive shutter
Lens	2.8mm@ F1.6 Diagonal angle: 135° Horizontal angle: 113° Vertical angle: 60°
Day & Night	IR-cut filter with auto switch
DNR	3D DNR
Night Vision	IR Distance:15m, Color Night Vision Distance:15m
Video & Audio	
Max Resolution	3840*2160/4K/8MP
Frame Rate	15fps. Self-Adaptive during network transmission
Video Compression	H.265/H.264
Video Bit Rate	Ultra-HD; Full HD; Hi-Def Adaptive bit rate.
Audio Bit Rate	Self-Adaptive
Max. Bitrate	4 Mbps
Network	
Bluetooth	Supports
Wi-Fi Standard	IEEE802.11b, 802.11g, 802.11n, 802.11ax
Frequency Range	2.4 GHz ~ 2.4835 GHz
Channel Bandwidth	Support 20MHz
Security	WPA-PSK/WPA2-PSK, WPA3-Personal
Transmission Rate	11b: 11Mbps, 11g :54Mbps, 11n :72Mbps, 11ax:114Mbps
Wi-Fi Pairing	AP pairing
Protocol	EZVIZ cloud proprietary protocol
Interface Protocol	EZVIZ cloud proprietary protocol
Minimum Network Requirement	8 Mbps
Function	
Smart Alarm	AI Human Detection, Vehicle Detection, Animal Detection (Beta)
Two-way Talk	Supports
General Function	Anti-Flicker, Heart Beat, Password Protection, Watermark
Storage	
Local Storage	Support Micro SD slot for local storage (Up to 512G)
Cloud Storage	EZVIZ cloud storage
General	
Operating Conditions	-20°C to 50°C (-4°F to 122 °F), Humidity 95% or less (non-condensing)
IP Grade	IP65
Power Supply	DC 5V/2A (Compatible power adapter needs to be purchased separately)
Battery Capacity	10400 mAh
Power Consumption	Max.10W
Product Dimensions	149.33mm x 62.95mm x 62.95mm
Packaging Dimensions	103x103x186mm
Weight	Net Weight: 336.5g With Package: TBD