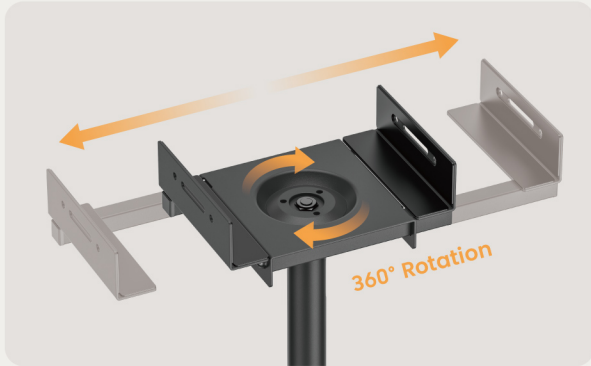


BS-7 Series & SB-75 Universal Speaker Stands & Mounts





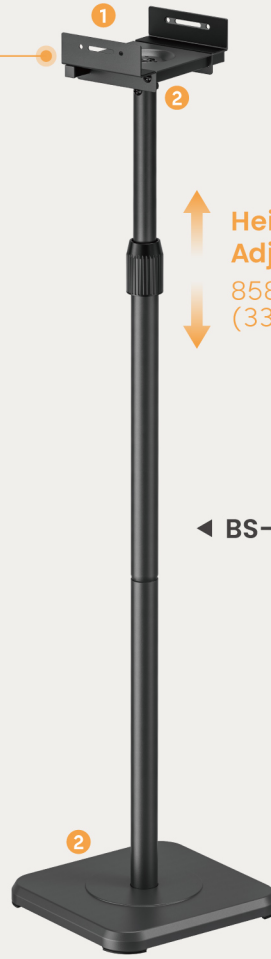
Extendable Clamp with 360° Rotation
provides wide compatibility as well as great flexibility



Tiltable Platform
allows users to adjust freely to a desired angle



Concealed Cable Management
keeps a clean and neat look



Height Adjustable
858-1128mm
(33.8"-44.4")

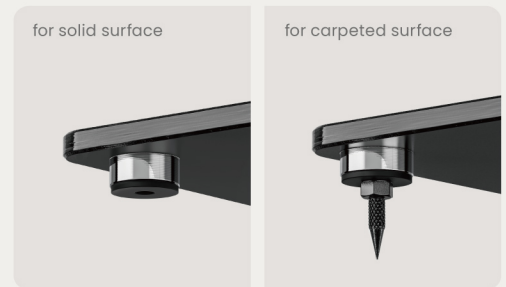
no-sliping feet



▲ SB-75

Wide Protective Pad
helps to reduce unwanted resonance and ensures a clean sound

Excellent Weight Capacity
makes it compatible with a device of nearly 25kg

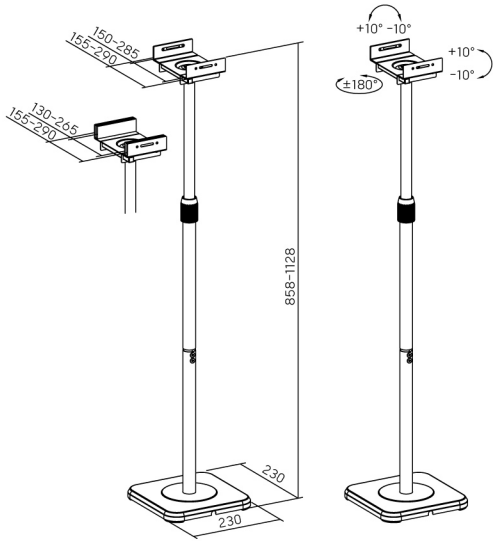


Two Types of Feet Included
suit different surfaces and ensure stability
(for BS-76M/76L)

1 Extendable Clamp with 360° Rotation
Tiltable Platform

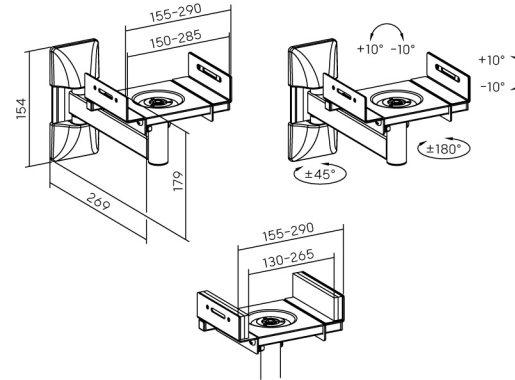
2 Swiveling Arm ±45°
for effortless position change
(subject to the size of speakers)

BS-75 Height Adjustable



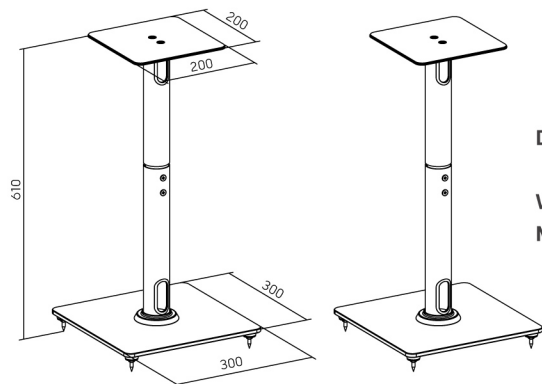
Dimensions	230x230x858~1128mm (9.1"x9.1"x33.8"~44.4")
Height Range	858~1128mm (33.8"~44.4")
Weight Capacity	5kg (11lbs)
Tilt Range	+10°~-10°
Swivel Range	+10°~-10°
Rotation	+180°~-180°
Material	Steel, Plastic

SB-75 Adjustable



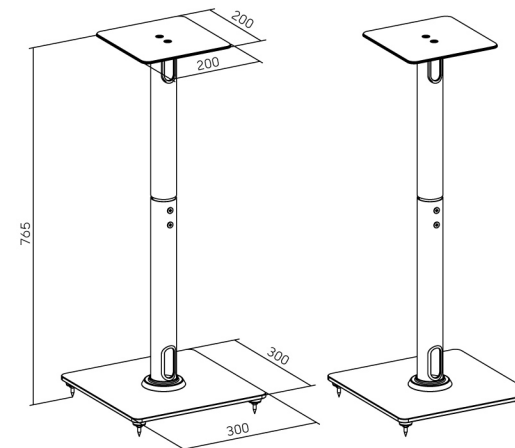
Dimensions	269x290x179mm (10.6"x11.4"x7")
Weight Capacity	25kg (55lbs)
Tilt Range (Platform)	+10°~-10°
Swivel Range (Platform)	+10°~-10°
Swivel Range (Arm)	±45°
Rotation	+180°~-180°
Material	Steel, Plastic

BS-76M Fixed



Dimensions	300x300x610mm (11.8"x11.8"x24")
Weight Capacity	25kg (55lbs)
Material	Tempered Glass, Steel, Plastic

BS-76L Fixed



Dimensions	300x 300x 765mm (11.8"x11.8"x30.1")
Weight Capacity	25kg (55lbs)
Material	Tempered Glass, Steel, Plastic