

# UNLOADED KEYSTONE SURFACE MOUNT ENCLOSURE

## DESCRIPTION

The DYNAMIX Surface Mount Box provides a versatile & convenient solution for housing keystone jack inserts, making it ideal for mounting on solid surfaces such as walls, desktops, or office furniture. Designed for easy installation, it includes a clip-on frame for seamless insertion of keystone jacks, allowing for quick upgrades or cable type changes. Built-in cable strain relief is ensured with a cable guide.

## FEATURES

- 1 or 2 Port surface mount blank box housing keystone jacks
- Simple installation - creates a cable patch solution that flush mounts to a solid surface
- Simply snap open the top cover to change out keystone jacks
- Sturdy ABS (Acrylonitrile Butadiene Styrene) UL94V-0 housing
- Support keystone jacks for AV, voice or Ethernet cable
- ID Label & clear cover included
- Screws, double-sided tape & cable tie included



FMT-UK-1PV2



FMT-UK-2PV2

PRODUCT CODE	TYPE	PORT	COLOUR
FMT-UK-1PV2	Unloaded Keystone Surface Mount Enclosure with 1x ID Label	1	White
FMT-UK-2PV2	Unloaded Keystone Surface Mount Enclosure with 2x ID Label	2	White

## SPECIFICATIONS

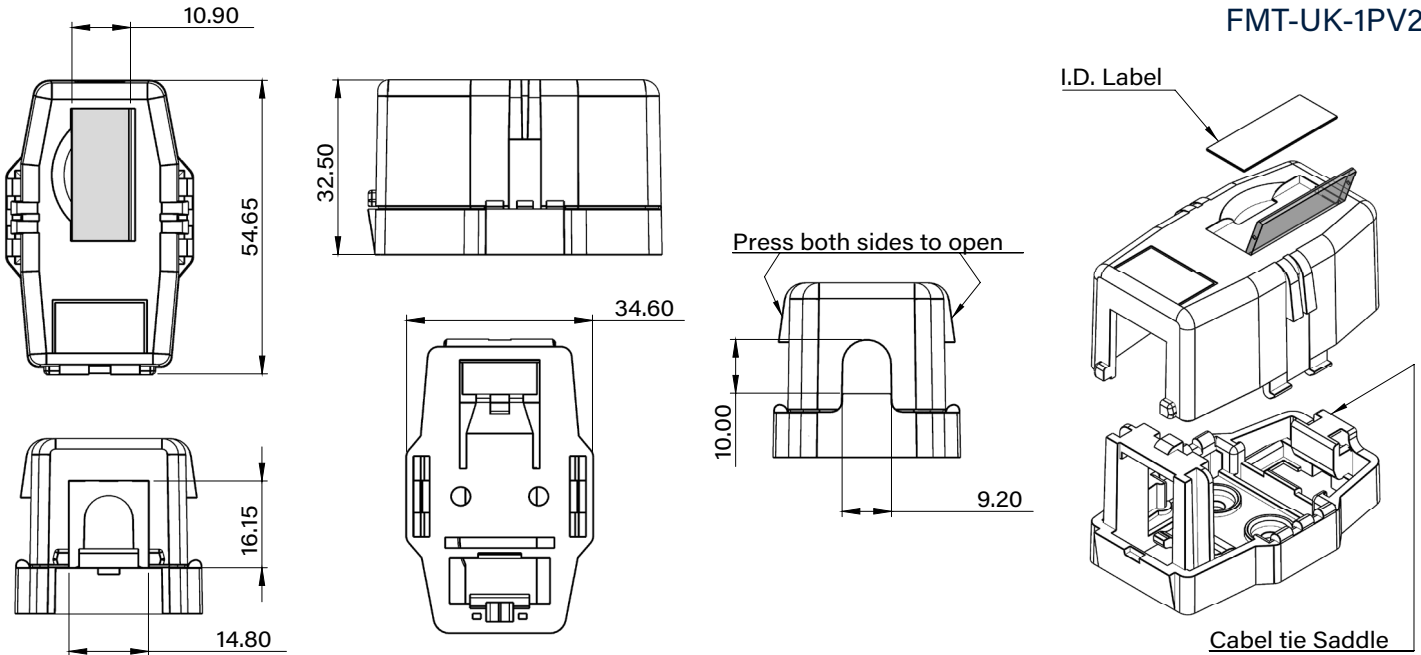
Material	Housing: ABS UL94V-0	
Outer Dimensions (WxDxH)	1 Port: 34.6 x 54.65 x 32.50mm	2 Port: 58.55 x 54.65 x 32.50mm
Included	2x Screws, 1x Foam tape, 2x Nylon Cable Tapes	



# UNLOADED KEYSTONE SURFACE MOUNT ENCLOSURE

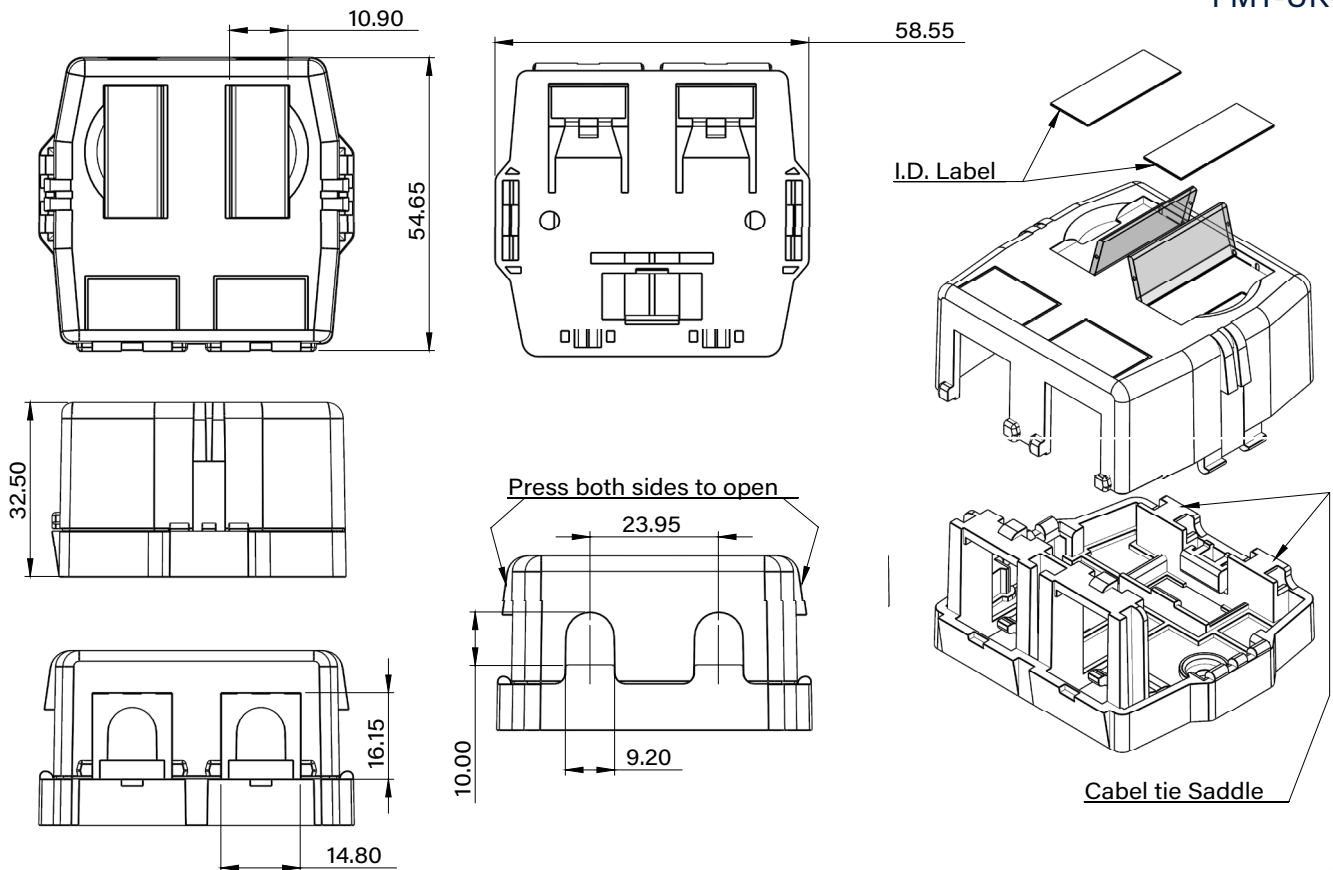
## TECH DRAWING

FMT-UK-1PV2



## TECH DRAWING

FMT-UK-2PV2



Please note we took the up-most care to compile the information in this datasheet. To the best of our knowledge all info provided were correct at the time of creation. Should any specs change we try to update info accordingly. Information are subject to change without notice. In the case that you find any irregularity please inform our team at [contactus@dynamix.co.nz](mailto:contactus@dynamix.co.nz)  
 Last updated: 14 January 2025

