

## NVR-100MH-C/P SERIES NVR



### Key Features

#### HD Input

- H.265+/H.265/H.264/H.264+ video formats
- Connectable to the third-party network cameras
- Up to 8 IP cameras can be connected
- Recording at up to 8 MP resolution
- Supports live view, storage, and playback of the connected camera at up to 8 MP resolution

#### HD Output

- HDMI/VGA simultaneous output (NVR-104MH-C/4P)
- HDMI and VGA independent outputs (NVR-108MH-C/8P)
- HDMI Video output at up to 4K (3840 × 2160) resolution

#### HD Storage

- 1 SATA interface connectable for recording and backup
- H.265+ compression effectively reduces the storage space and costs by up to 75%

#### HD Transmission

- 1 self-adaptive 10/100/1000 Mbps network interface
- 4/8 independent PoE network interfaces are provided

#### Various Applications

- Centralized management of IP cameras, including configuration, information import/export, real-time information display, two-way audio, upgrade, etc.
- Connectable to smart IP cameras and the recording, playing back, and backing up of VCA alarms can be realized
- VCA detection alarm is supported
- Instant playback for assigned channel during multi-channel display mode
- Smart search for the selected area in the video; and smart playback to improve the playback efficiency
- Hik-Connect for easy network management

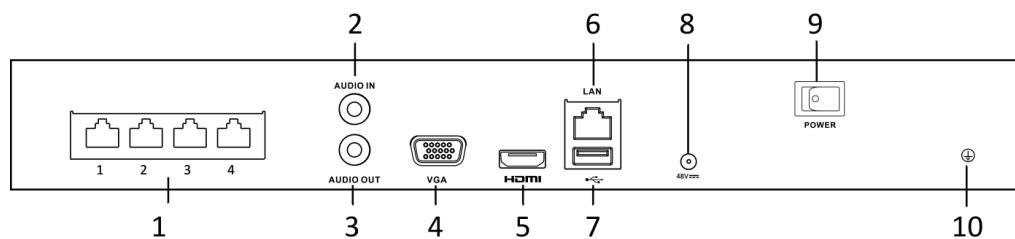
### Applicable Models

NVR-104MH-C/4P, NVR-108MH-C/8P

## Specifications

| Model                     |                                 | NVR-104MH-C/4P  | NVR-108MH-C/8P   |
|---------------------------|---------------------------------|---|--|
| Video/Audio input         | IP video input                  | 4-ch  | 8-ch   |
|                           |                                 | Up to 8 MP resolution   |  |
|                           | Two-way audio                   | 1-ch, RCA (2.0 Vp-p, 1 k Ω)   |  |
| Network                   | Incoming bandwidth              | 40 Mbps   | 80 Mbps  |
|                           | Outgoing bandwidth              | 80 Mbps   |  |
| Video/Audio output        | Recording resolution            | 8 MP/6 MP/5 MP/4 MP/3 MP/1080p/UXGA /720p/VGA/4CIF/DCIF/ 2CIF/CIF/QCIF  |  |
|                           | HDMI output resolution          | 1-ch, 4K (3840 × 2160)/30Hz, 1920 × 1080p/60Hz, 1600 × 1200/60Hz, 1280 × 1024/60Hz, 1280 × 720/60Hz, 1024 × 768/60Hz;<br>HDMI/VGA simultaneous output | 1-ch, 4K (3840 × 2160)/30Hz, 1920 × 1080p/60Hz, 1600 × 1200/60Hz, 1280 × 1024/60Hz, 1280 × 720/60Hz, 1024 × 768/60Hz |
|                           | VGA output resolution           | 1-ch, 1920 × 1080p/60Hz, 1600 × 1200/60Hz, 1280 × 1024/60Hz, 1280 × 720/60Hz, 1024 × 768/60Hz ;<br>HDMI/VGA simultaneous output                       | 1-ch, 1920 × 1080p/60Hz, 1280 × 1024/60Hz, 1280 × 720/60Hz, 1024 × 768/60Hz  |
|                           | Audio output                    | 1-ch, RCA (Linear, 1 KΩ)  |  |
| Decoding                  | Decoding format                 | H.265/H.265+/H.264/H.264+/MPEG4   |  |
|                           | Live view / Playback resolution | 8 MP/6 MP/5 MP/4 MP/3 MP/1080p/UXGA /720p/VGA/4CIF/DCIF/ 2CIF/CIF/QCIF  |  |
|                           | Synchronous playback            | 4-ch  | 8-ch   |
|                           | Capability                      | 1-ch @ 8 MP / 4-ch @ 1080p  |  |
| Network management        | Network protocols               | TCP/IP, DHCP, Hik-Connect, DNS, DDNS, NTP, SADP, SMTP, NFS, iSCSI, UPnP™, HTTPS   |  |
| Hard disk                 | SATA                            | 1 SATA interface  |  |
|                           | Capacity                        | Up to 6TB capacity for each disk  |  |
| External interface        | Network interface               | 1, RJ-45 10/100/1000 Mbps self-adaptive Ethernet interface  |  |
|                           | USB interface                   | 2 × USB 2.0   |  |
| POE Interface             | Interface                       | 4, RJ-45 10/100 Mbps self-adaptive Ethernet interface   | 8, RJ-45 10/100 Mbps self-adaptive Ethernet interface  |
|                           | Power                           | ≤ 50W   | ≤ 75W  |
|                           | Standard                        | IEEE 802.3 af/at  |  |
| General                   | Power supply                    | 48 VDC  |  |
|                           | Power                           | ≤ 65 W  | ≤ 90 W   |
|                           | Consumption(without hard disk)  | ≤ 10 W (without enabling PoE)   |  |
|                           | Working temperature             | -10 to +55° C (+14 to +131° F)  |  |
|                           | Working humidity                | 10 to 90 %  |  |
|                           | Chassis                         | 1U chassis  |  |
|                           | Dimensions(W × D × H)           | 315 × 240 × 48 mm (12.4" × 9.4" × 1.9")   |  |
| Weight(without hard disk) | ≤ 1 kg (2.2 lb)                 |   |  |

## Physical Interfaces



| Index    | Description  | Index     | Description           |
|----------|--|-----------|-----------------------|
| <b>1</b> | Network Interfaces with PoE function<br>(4 interfaces for NVR-104MH-C/4P and 8<br>interfaces for NVR-108MH-C/8P) | <b>6</b>  | LAN Network Interface |
| <b>2</b> | AUDIO IN   | <b>7</b>  | USB 2.0 Interface.    |
| <b>3</b> | AUDIO OUT  | <b>8</b>  | 48 VDC power supply   |
| <b>4</b> | VGA Interface  | <b>9</b>  | Power Switch          |
| <b>5</b> | HDMI Interface   | <b>10</b> | GND                   |

## IPC-T262H-MU

### 6 MP Intelligent Dual IR Fixed Turret Network Camera



- High quality imaging with 6 MP resolution
- Support Human and Vehicle Intelligent Detection
- Dual IR lights to enhance night vision
- Built-in microphone for real-time audio security
- Water and dust resistant (IP67)
- Efficient H.265+ compression technology

## ▪ Specification

| Camera                      |  |
|-----------------------------|--|
| Image Sensor                | 1/2.4" Progressive Scan CMOS   |
| Max. Resolution             | 3200 × 1800  |
| Min. Illumination           | Color: 0.005 Lux @ (F1.6, AGC ON), B/W: 0 Lux with IR  |
| Shutter Time                | 1/3 s to 1/100,000 s   |
| Day & Night                 | IR cut filter  |
| Angle Adjustment            | Pan: 0° to 360°, tilt: 0° to 75°, rotate: 0° to 360°   |
| Lens                        |  |
| Lens Type                   | Fixed focal lens, 2.8 and 4 mm optional  |
| Focal Length & FOV          | 2.8 mm, horizontal FOV 105°, vertical FOV 55°, diagonal FOV 127°<br>4 mm, horizontal FOV 78°, vertical FOV 38°, diagonal FOV 96°             |
| Lens Mount                  | M12  |
| Iris Type                   | Fixed  |
| Aperture                    | F1.6   |
| DORI                        |  |
| DORI                        | 2.8 mm, D: 76 m, O: 30 m, R: 15 m, I: 7 m<br>4 mm, D: 115 m, O: 45 m, R: 23 m, I: 11 m   |
| Illuminator                 |  |
| Supplement Light Type       | IR   |
| Supplement Light Range      | Up to 30 m   |
| Smart Supplement Light      | Yes  |
| IR Wavelength               | 850 nm   |
| Video                       |  |
| Main Stream                 | 50 Hz:<br>20 fps (3200 × 1800, 2688 × 1520, 1920 × 1080, 1280 × 720)<br>60 Hz:<br>20 fps (3200 × 1800, 2688 × 1520, 1920 × 1080, 1280 × 720) |
| Sub-Stream                  | 50 Hz: 20 fps (1280 × 720, 640 × 480, 640 × 360)<br>60 Hz: 20 fps (1280 × 720, 640 × 480, 640 × 360)   |
| Video Compression           | Main stream: H.265+/H.265/H.264+/H.264,<br>Sub-stream: H.265/H.264/MJPEG   |
| Video Bit Rate              | 32 Kbps to 16 Mbps   |
| H.264 Type                  | Baseline Profile, Main Profile, High Profile   |
| H.265 Type                  | Main Profile   |
| Bit Rate Control            | CBR, VBR   |
| Scalable Video Coding (SVC) | H.264 and H.265 encoding   |
| Region of Interest (ROI)    | 1 fixed region for main stream   |
| Audio                       |  |
| Audio Type                  | Mono sound   |
| Environment Noise Filtering | Yes  |
| Audio Sampling Rate         | 8 kHz/16 kHz   |
| Audio Compression           | G.711ulaw/G.711alaw/G.722.1/G.726/MP2L2/PCM/AAC-LC   |
| Audio Bit Rate              | 64 Kbps (G.711ulaw/G.711alaw)/16 Kbps (G.722.1)/16 Kbps (G.726)/32 to 160 Kbps (MP2L2)/16 to 64 Kbps (AAC-LC)                                |

| <b>Network</b>                   |  |
|----------------------------------|--|
| Security                         | Password protection, complicated password, watermark, basic and digest authentication for HTTP, WSSE and digest authentication for Open Network Video Interface, security audit log, host authentication (MAC address) |
| Simultaneous Live View           | Up to 6 channels   |
| API                              | Open Network Video Interface (Profile S, Profile T, Profile G), ISAPI, SDK   |
| Protocols                        | TCP/IP, ICMP, DHCP, DNS, HTTP, RTP, RTSP, NTP, IGMP, IPv6, UDP, QoS, FTP, SMTP, UPnP   |
| User/Host                        | Up to 32 users<br>3 user levels: administrator, operator, and user   |
| Client                           | iVMS-4200, HiLookVision  |
| Web Browser                      | Plug-in required live view: IE 10, IE 11,<br>Local service: Chrome 57.0+, Firefox 52.0+, Edge 89+  |
| <b>Image</b>                     |  |
| Wide Dynamic Range (WDR)         | 120 dB   |
| SNR                              | ≥ 52 dB  |
| Day/Night Switch                 | Day, Night, Auto, Schedule   |
| Image Enhancement                | BLC, HLC, 3D DNR   |
| Image Settings                   | Rotate mode, saturation, brightness, contrast, sharpness, gain, white balance, adjustable by client software or web browser  |
| Privacy Mask                     | 4 programmable polygon privacy masks   |
| <b>Interface</b>                 |  |
| Ethernet Interface               | 1 RJ45 10 M/100 M self-adaptive Ethernet port  |
| Built-in Microphone              | Yes  |
| Reset Key                        | Yes  |
| <b>Event</b>                     |  |
| Basic Event                      | Motion detection (support alarm triggering by specified target types (human and vehicle)), video tampering alarm, exception  |
| Smart Event                      | Line crossing detection and intrusion detection (support alarm triggering by specified target types (human and vehicle))   |
| Linkage                          | Upload to FTP, send email, notify surveillance center, trigger capture   |
| <b>General</b>                   |  |
| Power                            | 12 VDC ± 25%, 0.41 A, max. 5 W, Ø5.5 mm coaxial power plug, reverse polarity protection,<br>PoE: IEEE 802.3af, Class 3, max. 6.5 W   |
| Material                         | Metal  |
| Dimension                        | Ø127.3 mm × 95.9 mm (Ø5.0" × 3.8")   |
| Package Dimension                | 150 mm × 150 mm × 141 mm (5.9" × 5.9" × 5.6")  |
| Weight                           | Approx. 600 g (1.3 lb.)  |
| With Package Weight              | Approx. 909 g (2.0 lb.)  |
| Storage Conditions               | -30 °C to 60 °C (-22 °F to 140 °F). Humidity 95% or less (non-condensing)  |
| Startup and Operating Conditions | -30 °C to 60 °C (-22 °F to 140 °F). Humidity 95% or less (non-condensing)  |
| Language                         | English, Ukrainian   |
| General Function                 | Heartbeat, anti-banding, mirror, password protection, password reset via email   |

| Approval    |   |
|-------------|---|
| EMC         | CE-EMC: EN 55032:2015+A1:2020, EN 50130-4:2011+A1:2014, EN IEC 61000-3-2:2019+A1:2021, EN 61000-3-3:2013+A1:2019+A2:2021,<br>RCM: AS/NZS CISPR 32: 2015,<br>IC: ICES-003: Issue 7 |
| Safety      | CB: IEC 62368-1: 2014+A11,<br>CE-LVD: EN 62368-1: 2014/A11: 2017  |
| Environment | CE-RoHS: 2011/65/EU,<br>WEEE: 2012/19/EU,<br>Reach: Regulation (EC) No 1907/2006  |
| Protection  | IP67: IEC 60529-2013  |

### ▪ Typical Application

Hilook products are classified into three levels according to their anti-corrosion performance. Refer to the following description to choose for your using environment.

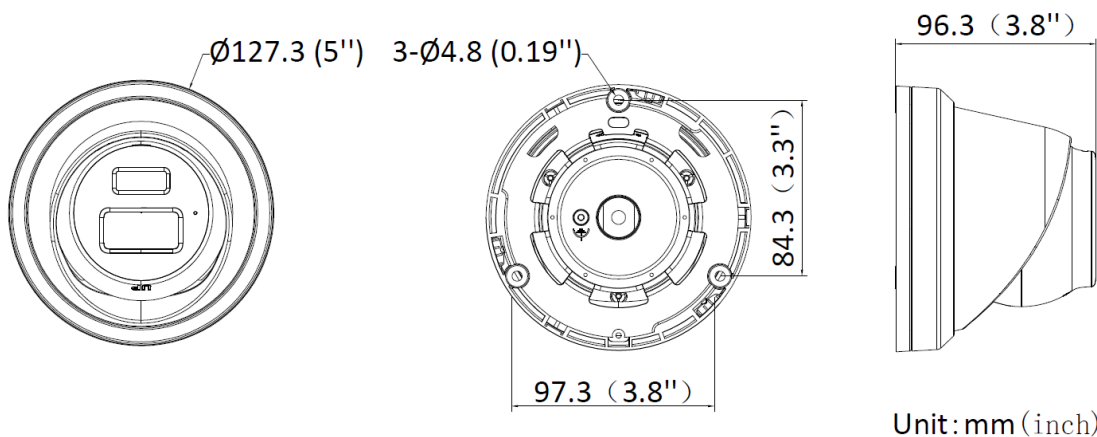
This model has NO SPECIFIC PROTECTION.

| Level                  | Description   |
|------------------------|---|
| Top-level protection   | Hilook products at this level are equipped for use in areas where professional anti-corrosion protection is a must. Typical application scenarios include coastlines, docks, chemical plants, and more.   |
| Moderate protection    | Hilook products at this level are equipped for use in areas with moderate anti-corrosion demands. Typical application scenarios include coastal areas about 2 kilometers (1.24 miles) away from coastlines, as well as areas affected by acid rain. |
| No specific protection | Hilook products at this level are equipped for use in areas where no specific anti-corrosion protection is needed.  |

### ▪ Available Model

- IPC-T262H-MU (2.8mm)
- IPC-T262H-MU (4mm)
- IPC-T262H-MU (2.8mm)/Black

### ▪ Dimension



▪ Accessory

▪ Optional

|   |   |   |  |  |
|---|---|---|--|--|
| <b>DS-1271ZJ-130-TRL</b><br><b>Pendant Mount</b>              | <b>DS-1276ZJ-SUS</b><br><b>(Black)</b><br><b>Corner Mount</b> | <b>DS-1281ZJ-M</b><br><b>(Black)</b><br><b>Inclined Ceiling Mount</b> | <b>DS-1275ZJ-SUS</b><br><b>Vertical Pole Mount</b> | <b>DS-1271ZJ-130-TRL</b><br><b>(Black)</b><br><b>Pendant Mount</b>   |
|   |   |   |  |  |
| <b>DS-1280ZJ-DM8</b><br><b>(Black)</b><br><b>Junction Box</b> | <b>DS-1281ZJ-M</b><br><b>Inclined ceiling mount</b>           | <b>DS-1273ZJ-130B-TRL</b><br><b>Wall mount</b>                        | <b>DS-1276ZJ-SUS</b><br><b>Corner mount</b>        | <b>DS-1275ZJ-SUS</b><br><b>(Black)</b><br><b>Vertical Pole Mount</b> |
|   |   |   |  |  |
| <b>DS-1273ZJ-130-TRL(Black)</b><br><b>Wall Mount</b>          | <b>DS-1280ZJ-DM8</b><br><b>Junction box</b>                   | <b>DS-1273ZJ-130-TRL</b><br><b>Wall mount</b>                         |  |  |
|   |   |   |  |  |



**Headquarters**

No.555 Qianmo Road, Binjiang District,  
 Hangzhou 310051, China  
 T +86-571-8807-5998  
 Technical Support: support@hikvision.com

Follow us on social media to get the latest product and solution information.



Hikvision



HikvisionHQ



HikvisionHQ



Hikvision\_Global



Hikvision Corporate Channel



hikvisionhq