

LDT35-T01

Touch Screen Monitor Desk Stand

With improved tilt, rotating base and smooth adjustments, the LDT35-T01 Desk Stand offers customized positioning of 17"-32" touch screen monitors combined with a stable platform for drawing, illustrating, reading and more.



LDT35-T01
overview video

LDT35-T01

Tablet and Touch Screen Gas Spring Monitor Desk Stand



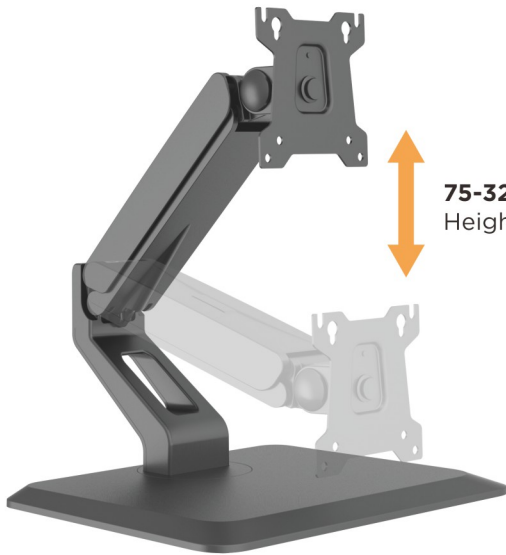
Gas Spring Mechanism

allows for effortless adjustment and stable position

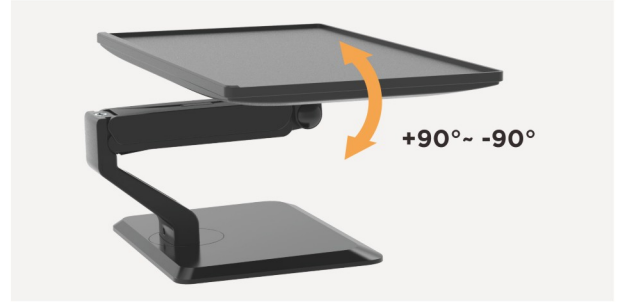
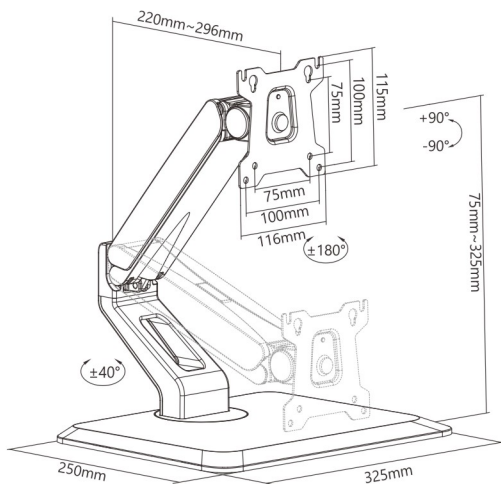


Built-In Spring Tension Gauge

for perfect weight adjustments



75-325mm (3"-12.8")
Height Adjustable



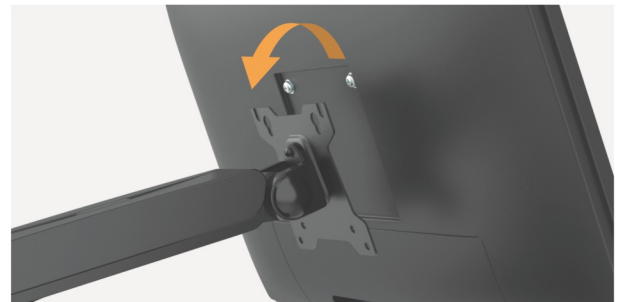
Improved Tilting Design

makes touch screen use effortless and effective



Rotating Base

offers any desired swiveling angle



Keyhole Pattern

for faster and easier installation



Cable Management

keeps everything organized

Item No.	LDT35-T01
Fit Screen Size	17"-32"
Weight Capacity	2-10kg/4.4lbs-22lbs
Tilt Range	+90°- -90°
Swivel Range	+40°- -40°
Screen Rotation	+180°- -180°
Material	Steel, Aluminum, Plastic