



reddot winner 2021

LUMI
ergo

LDT50 Series

HALO

Spring-Assisted Monitor Arms

After more than 10 years of designing and manufacturing monitor arms, LUMI introduces the disruptively innovative LDT50 Series HALO Spring-Assisted Monitor Arms. A milestone in industrial design, the iconic ring-shaped aperture places the LDT50 Series into the spotlight, where they are no longer simply monitor accessories, but tech gadgets in the workplace. Beauty is more than skin deep, as the quality internal spring mechanism provides smooth, reliable and effortless monitor movement.



E-mail: info@lumi.cn / www.lumi.cn



Attention to Details

1. Quick-Release VESA Plate

for effortless monitor installation and removal

2. Quick-Release Joint

reduced package size relatively lowers transport costs and storage fees (perfect for e-commerce platform sellers)

3. Rotation Stop

selectable 180°/360° movement to avoid hitting walls or partitions

4. Smart Base Available

with two USB 3.0 ports (only for LDT50-C012U and LDT50-C024U)

LUMI

ergo



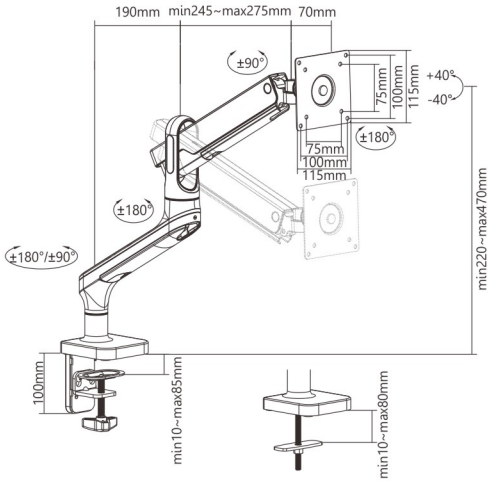
Space Grey

LDT50 Series

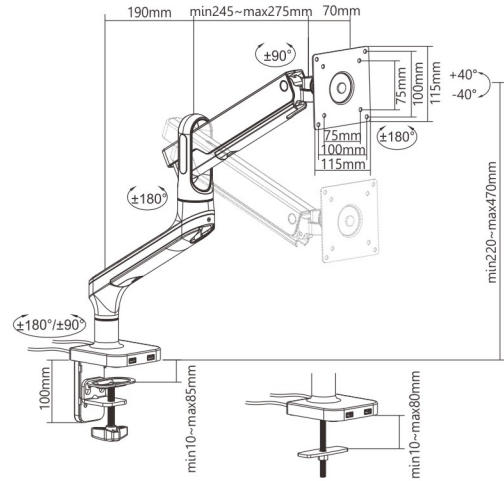
HALO Spring-Assisted Monitor Arms



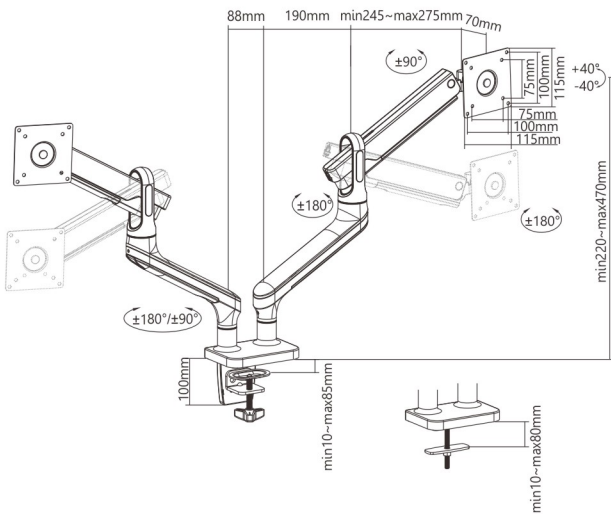
LDT50-C012 For Single Monitor



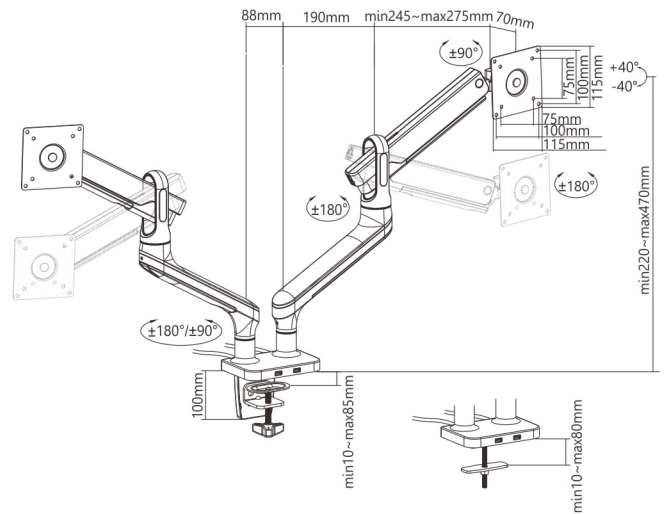
LDT50-C012U For Single Monitor/ 2 x USB 3.0 Ports



LDT50-C024 For Dual Monitors



LDT50-C024U For Dual Monitors/ 2 x USB 3.0 Ports



Item No.	LDT50-C012 / C012U / C024 / C024U
Fit Screen Size	17"-32"
Weight Capacity (per screen)	2-9kg (4.4-19.8lbs)
VESA Compatible	75x75, 100x100
Tilt Range	$+40^\circ\text{--}40^\circ$
Swivel Range	$+90^\circ\text{--}90^\circ$
Screen Rotation	$+180^\circ\text{--}180^\circ$
Material	Steel, Aluminum, Plastic
Colors	Gloss Grey, Space Grey