

M06E-AI Series

# Smart Dual-Motor Sit-Stand Desks With APP Control

Embrace a healthy and intelligent office lifestyle.



**CONTROL**  
up or down  
at will



**HEALTH**  
help to build  
good habits



**SETTING**  
meet different  
preferences

## M06E-AI Series

# Smart Dual-Motor Sit-Stand Desks with APP Control

**LUMI**  
ergo



### Traditional Memory Control

- 💡 3 Memory Settings
- 🔔 Timer Reminder
- ↕ CM/INCH Conversion
- 🔧 User Programmable Height Range
- ⚙️ Adjustable Collision Sensitivity
- 🔒 Safety Lock



### Smart Control APP

Easy to customize the desks from anywhere near the desk, effort-free yet quick-responding. Create a smart life at work or play with improved productivity and comfort.

#### Support Various Functions:

- Height adjustments
- Memory recall and resetting
- Personalize daily standing goals with reminders
- Track daily/weekly/monthly health statistics
- User guide included

...



## M06E-AI Series

# Smart Dual-Motor Sit-Stand Desks with APP Control

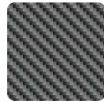


### Choose from a variety of popular desktop finishes and colors

Due to variations in printing and/or monitors and browsers, actual product color may vary. LUMI recommends that you order samples to confirm your color selection(s) by emailing us at [info@lumi.cn](mailto:info@lumi.cn)

### Desktop Colors

#### Particle Board



Carbon Fiber



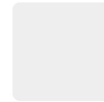
Light Rustic



Rustic Brown



Black



White

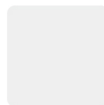


Natural Wood



Dark Walnut

### Desk Frame Colors



White



Grey



Black

### Edge Choices



Standard Edges



Rounded Edges

### Locking Casters



SFC-02 Desk Wheels

### Popular Products Help Your Sales!

M06E-AI Series are compatible with popular accessories that optimize user experience.



Swivel Storage Tray



Pull-Out Drawer



Adjustable Keyboard Tray



Cable Management Tray



Adjustable CPU Mount



Mobile File Cabinet



Anti-Fatigue Standing Mat



Height Adjustable Perch Stool

# M06E-AI Series

## Smart Dual-Motor Sit-Stand Desks with APP Control



Dimensions(mm/inch)

**M06-23DE-AI** Standard Column

**M06-23RE-AI** Reversed Column

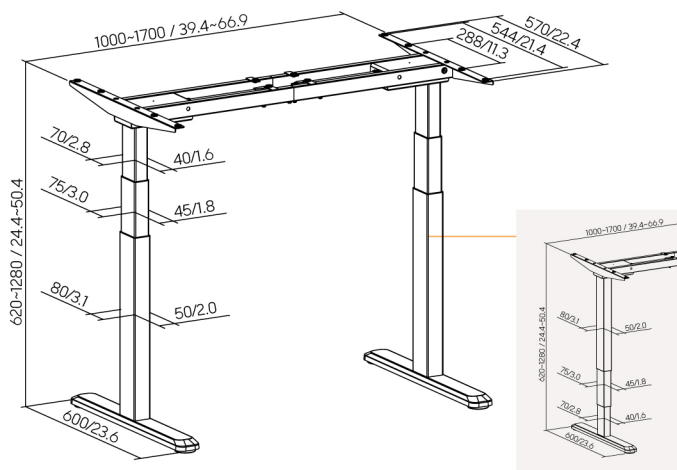
**3-Stage**



(Standard Column)



(Reversed Column)



**M06-22DE-AI** Standard Column

**M06-22RE-AI** Reversed Column

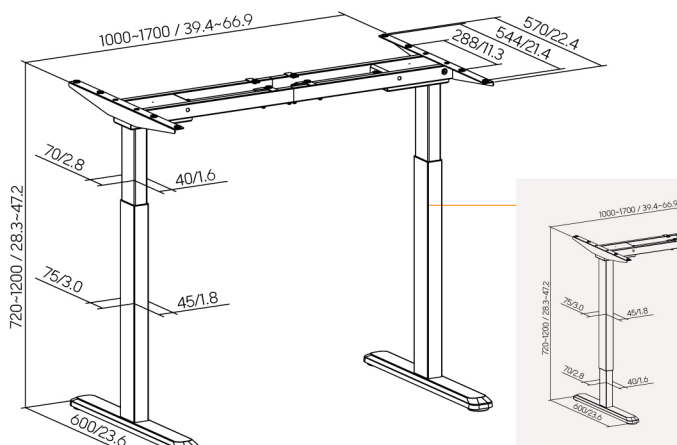
**2-Stage**



(Standard Column)



(Reversed Column)



Item No.	M06-23DE-AI / M06-23RE-AI	M06-22DE-AI / M06-22RE-AI
Width Range	1000-1700mm (39.4"~66.9")	1000-1700mm (39.4"~66.9")
Height Range	620-1280mm (24.4"~50.4")	720-1200mm (28.3"~47.2")
Weight Capacity	100kg (220lbs)	100kg (220lbs)
Control Type	Touch	Touch
Max. Speed	38mm/s	25mm/s
Power Input	100~240V	100~240V

Color: