



Large Worksurface

Collaborative Workspace

Private Workstation

Active Meeting

M06 Series  
**Rectangular Column**  
Multi-Motor  
Sit-Stand Desks



Rectangular



L-Shape(90°)



Corner Shape(120°)



Back-to-Back

# M06 Series Rectangular Column Multi-Motor Sit-Stand Desks

**LUMI**  
ergo



## Durability and Technology

**BIFMA**

Meets and exceed BIFMA X5.5-2014 standard

**20,000**  
Laboratory Test  
100kg/220lbs

Laboratory tested to 20,000 cycles with a loaded weight of 100kg/220lbs



**Proprietary Gyro-Current Collision Avoidance System**  
for better detection of soft and hard objects



## User Programmable Height Range

customize the upper and lower height settings to accommodate objects around you, such as under desk cabinets or storage units



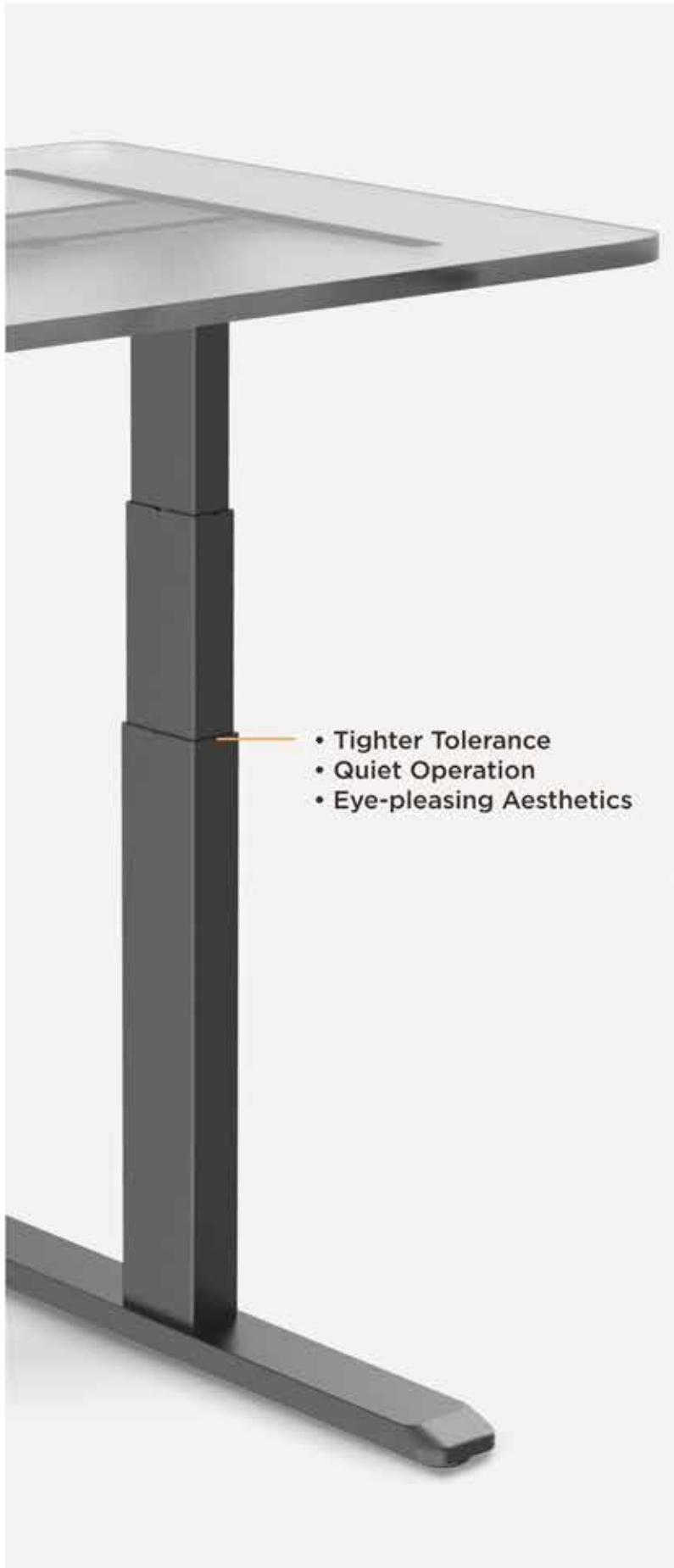
## Easy-Assembly

advanced frame design reduces set-up time while providing long-term stability for confident daily use



# M06 Series Rectangular Column Multi-Motor Sit-Stand Desks

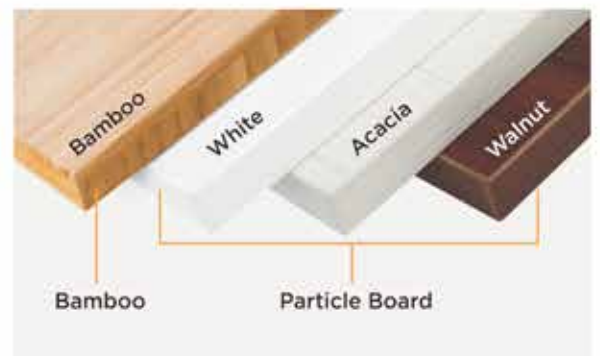
**LUMI**  
ergo



- Tighter Tolerance
- Quiet Operation
- Eye-pleasing Aesthetics



**Lockable Screen**  
prevents unexpected operation



**Only White Available in NZ**



**Built-in Slots for Optional Privacy Panel**  
(panel not included)



# M06 Series

## Rectangular Column Multi-Motor Sit-Stand Desks

**LUMI**  
ergo

**M06-23D** Standard

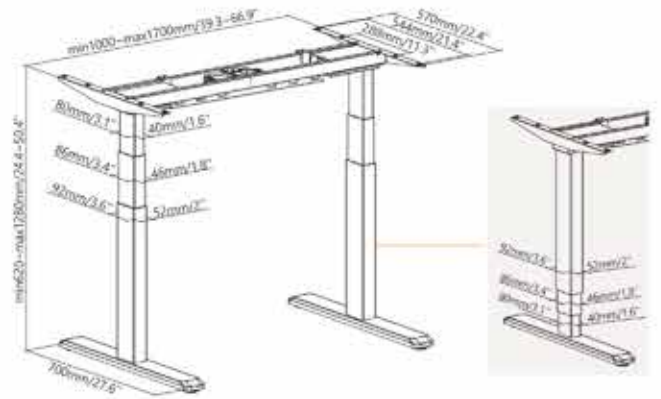
Dual Motor  3-Stage

**M06-23R** Reversed



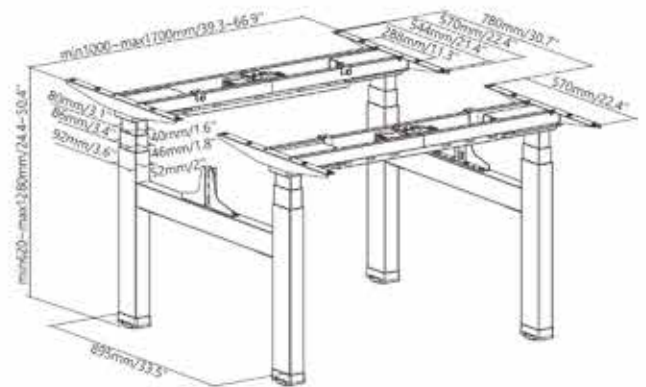
(Standard)

(Reversed)



**M06-43D**

Quad Motor  3-Stage



Desk Frame Colors: **CE CB FC**

Item No.	M06-23D	M06-23R	M06-43D
Weight Capacity	125kg/275lbs	125kg/275lbs	125kg/275lbs x2
Width Range	1000-1700mm (39.4"-66.9")	1000-1700mm (39.4"-66.9")	1000-1700mm (39.4"-66.9")
Height Range	620-1280mm (24.4"-50.4")	620-1280mm (24.4"-50.4")	620-1280mm (24.4"-50.4")
Max. Speed	38mm/s	38mm/s	38mm/s
Control Type	Touch	Touch	Touch
Power Input	100-240V	100-240V	100-240V

# M06 Series

## Rectangular Column Multi-Motor Sit-Stand Desks

**LUMI**  
ergo

**M06-33D** Standard

Triple Motor  3-Stage

**M06-33R** Reversed



(Standard)



(Reversed)



**M06-33DC** Standard

Triple Motor  3-Stage

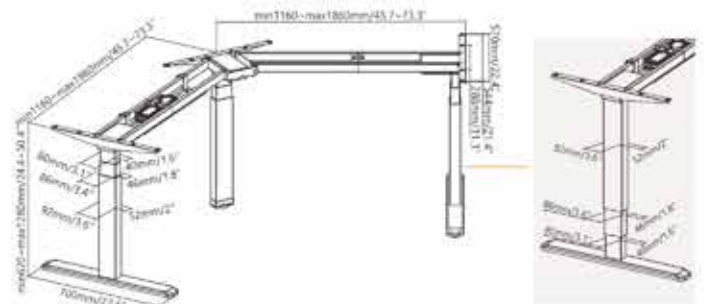
**M06-33RC** Reversed



(Standard)



(Reversed)



Desk Frame Colors:     

Item No.	M06-33D	M06-33R	M06-33DC	M06-33RC
Weight Capacity	150kg/330lbs	150kg/330lbs	150kg/330lbs	150kg/330lbs
Width Range	1000-1700mm & 1175-1805mm (39.4"-66.9" & 46.3"-71.1")	1000-1700mm & 1175-1805mm (39.4"-66.9" & 46.3"-71.1")	1160-1860mm (45.6"-73.2")	1160-1860mm (45.6"-73.2")
Height Range	620-1280mm (24.4"-50.4")	620-1280mm (24.4"-50.4")	620-1280mm (24.4"-50.4")	620-1280mm (24.4"-50.4")
Max. Speed	38mm/s	38mm/s	38mm/s	38mm/s
Control Type	Touch	Touch	Touch	Touch
Power Input	110V/230V	110V/230V	110V/230V	110V/230V